

Please fax to: +49 (0) 3841 / 32 75 079 or send via e-mail to: sales@tecmar.de

Contact Data

Company	_____	Project	_____
Name	_____	Inquiry No.	_____
Phone	_____	Date	_____
Fax	_____	Email	_____

Requested Design Data

State of Aggregation liquid

Medium name _____ formula _____
concentration _____

Rated Pressure _____ bar

Operating Pressure inlet _____ [_____] unit outlet _____ [_____] unit

Operating Temperature _____ [_____] unit

Design Temperature _____ [_____] unit

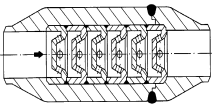
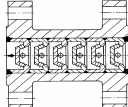
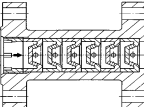
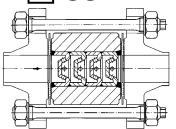
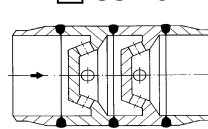
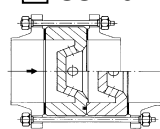
Density _____ [_____] unit

Viscosity _____ [cSt.] at _____ [°C]

Flow Rate _____ [_____] unit

Connection DIN ANSI DN _____

Throttle Type

<input type="checkbox"/> SSD 1 	<input type="checkbox"/> SSD 2 	<input type="checkbox"/> SSD 3 
<input type="checkbox"/> SSD 4 	<input type="checkbox"/> SSD 5 	<input type="checkbox"/> SSD 6 

Material Housing _____ (SSD 1, 2, 3 and 4 only)

Material Throttle _____ (1.4581 is standard)

Quantity Multiport Throttle _____ [pieces]

Certificate / Inspection _____

Notes / Supplies / Specification / Documentation / Painting / Others
